

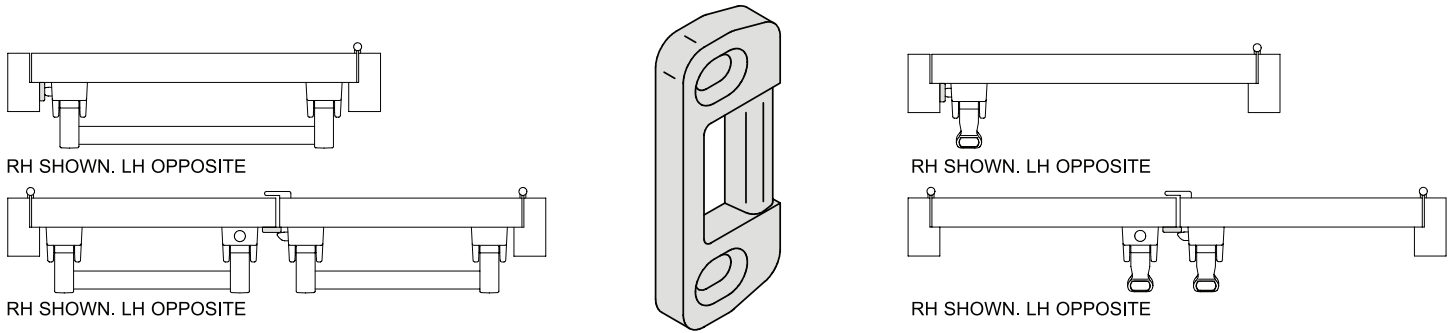


ALLEGION™

INSTALLATION INSTRUCTIONS

METAL DOOR STRIKE FOR PUSH BAR PANIC LATCH DEVICE & EMERGENCY PUSH PAD LATCH DEVICE

0378/338/00
ISSUE 02



THIS STRIKE IS FOR USE ON METAL DOORSETS FOR BOTH SINGLE AND REBATED DOUBLE DOOR APPLICATIONS. IT SHOULD BE USED AS A REPLACEMENT FOR THE STRIKER PLATE SUPPLIED WITH LATCH DEVICES WHERE FACE FIXING IS REQUIRED.

THESE INSTRUCTIONS ARE SUPPLEMENTARY, AND ARE TO BE READ IN CONJUNCTION WITH THOSE PROVIDED WITH LATCH DEVICES.

INSTALLATION

- 1) Fix Latch Box to door at required Push Bar/Push Pad height as detailed in main instructions, but at the revised distance shown from frame or leading edge of second opening leaf of a rebated pair according to application.

See Diagram 1

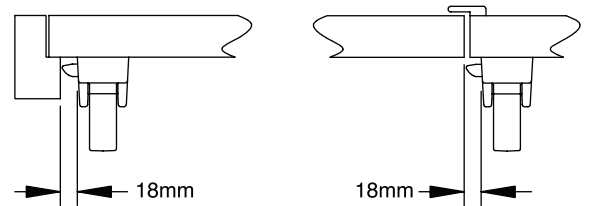


Diagram 1

- 2) For single door application, mark position of Latchbolt onto frame. Face fix Strike to frame in line with Latchbolt ensuring that it is flush with door face when closed.

See Diagram 2

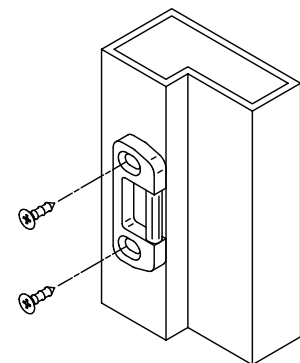


Diagram 2

or

- 3) For rebated double door application, mark position of Latchbolt onto second opening leaf. Face fix Strike to second opening leaf in line with Latchbolt and overhanging door edge by distance shown.

NOTE: Do not exceed overhang distance of 10mm as this will impair the operation of the Latch Device.

See Diagram 3

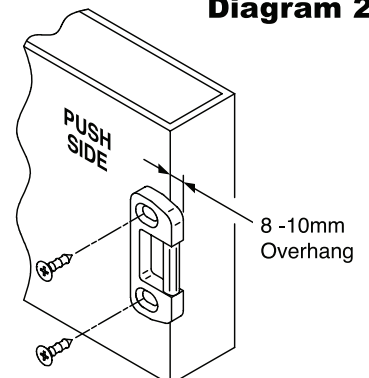


Diagram 3